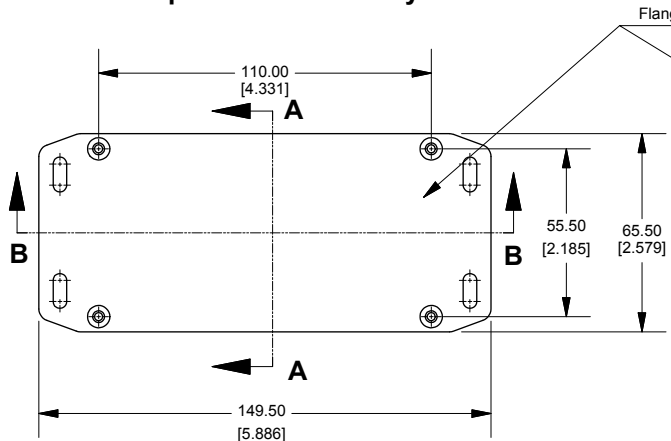
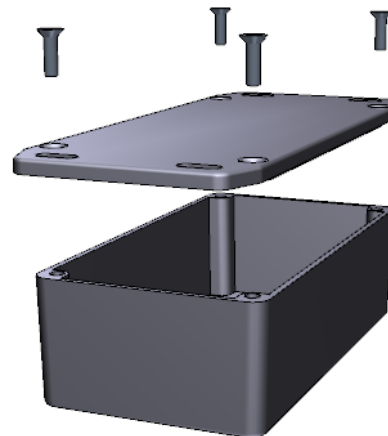
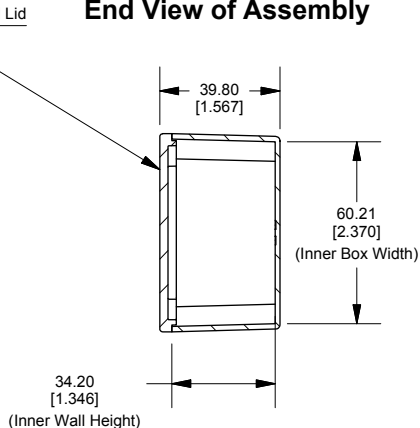


### Top View of Assembly

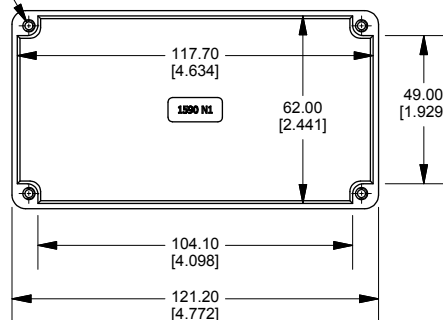


### SECTION A-A End View of Assembly

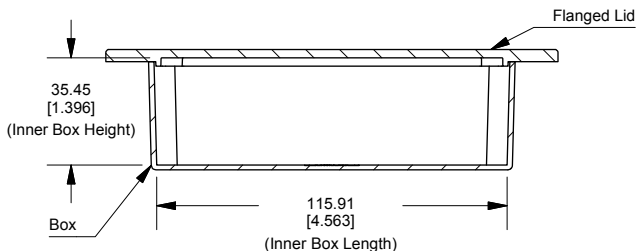


### Top View Looking Inside Box

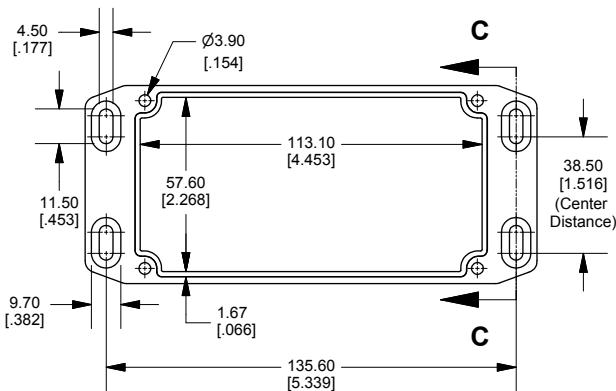
6-32 UNC  
 $\square \varnothing 4.00 \mp 3.40$   
 (Threaded Holes)



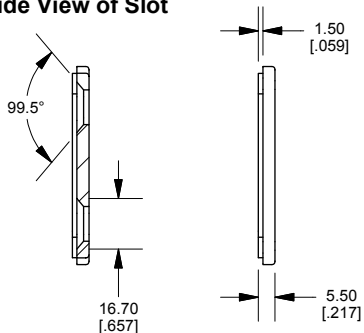
### SECTION B-B Side View of Assembly



### Flanged Lid



### SECTION C-C Side View of Slot



Enclosures can be Factory Modified ( Milling, Drilling, Printing etc.)  
 Contact Factory [mjm@hammondmfg.com](mailto:mjm@hammondmfg.com) for quotes  
 Solid models of this enclosure available in STEP or IGES.

#### NOTE

Purchased assembly includes box, lid and 4 cover screws.  
 Box and lid are made from Diecast Aluminum Alloy.  
 Silicone Gasket supplied with liquid resistant enclosure.

#### PART NUMBERS

1590N1FL Enclosure	
Natural Finish Enclosure	1590N1FL
Black Textured Enclosure	1590N1FLBK
1590N1FL Liquid Resistant Enclosure (Silicone Gasket)	
Natural Finish Enclosure	1590WN1FL
Black Textured Enclosure	1590WN1FLBK

#### ACCESSORIES

Recommended Torque: 75 ozf.in / 55 cN.m

#### Liquid Resistant Cover Screws

Stainless Steel Cover Screws (Pkg 100) [6-32 x 1/2" With O-Ring]	1590WMS100
Black Stainless Steel Cover Screws (Pkg 100) [6-32 x 1/2" With O-Ring]	1590WMS100BK

#### Standard Cover Screws

Plated Cover Screws (Pkg 100) [6-32 x 1/2"]	1590MS100
Black Cover Screws (Pkg 100) [6-32 x 1/2"]	1590MS100BK

**HAMMOND  
MANUFACTURING™**

**1590N1FL**

www.hammondmfg.com

Dimensions:  
 mm  
 [inches]